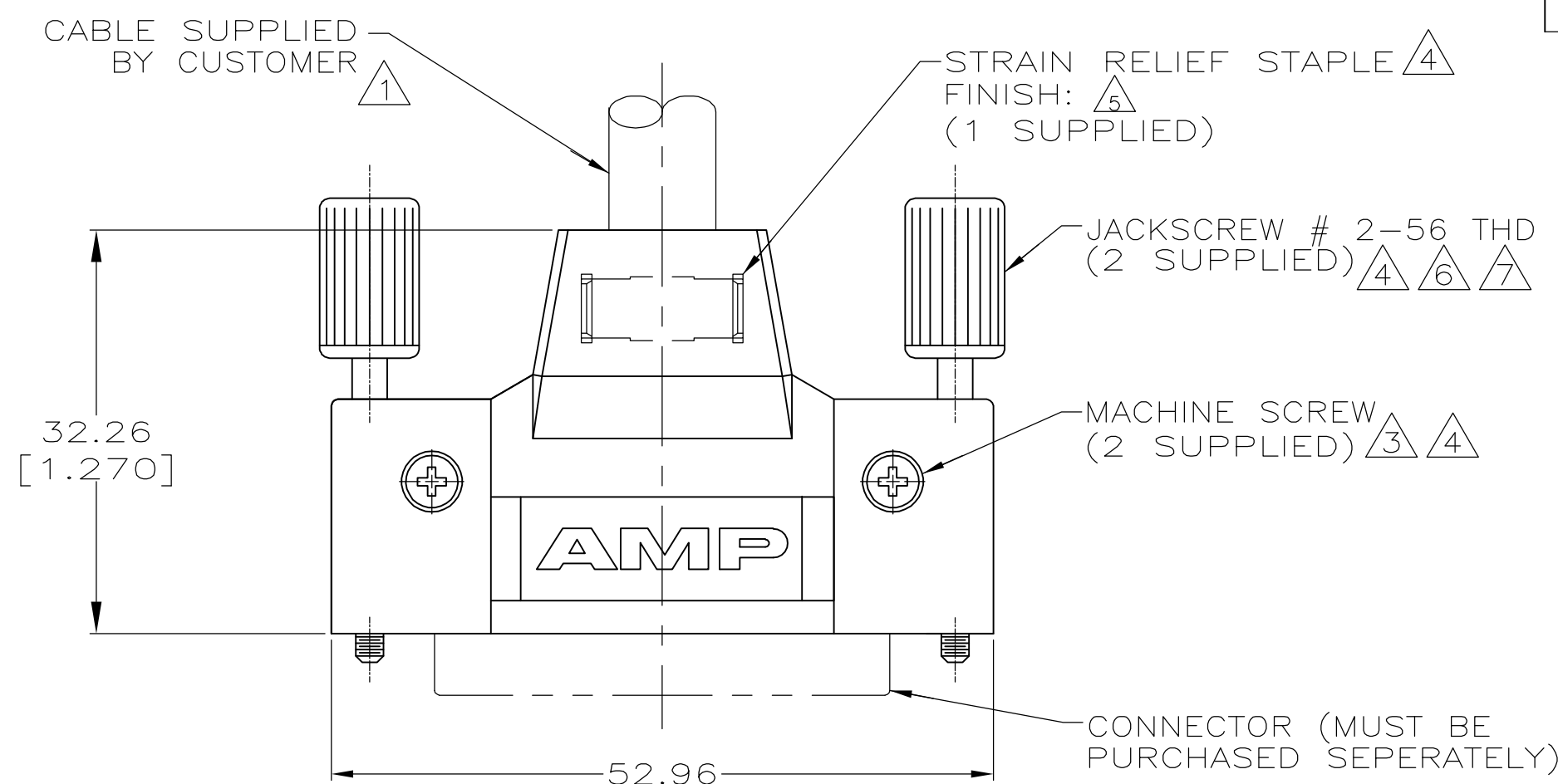
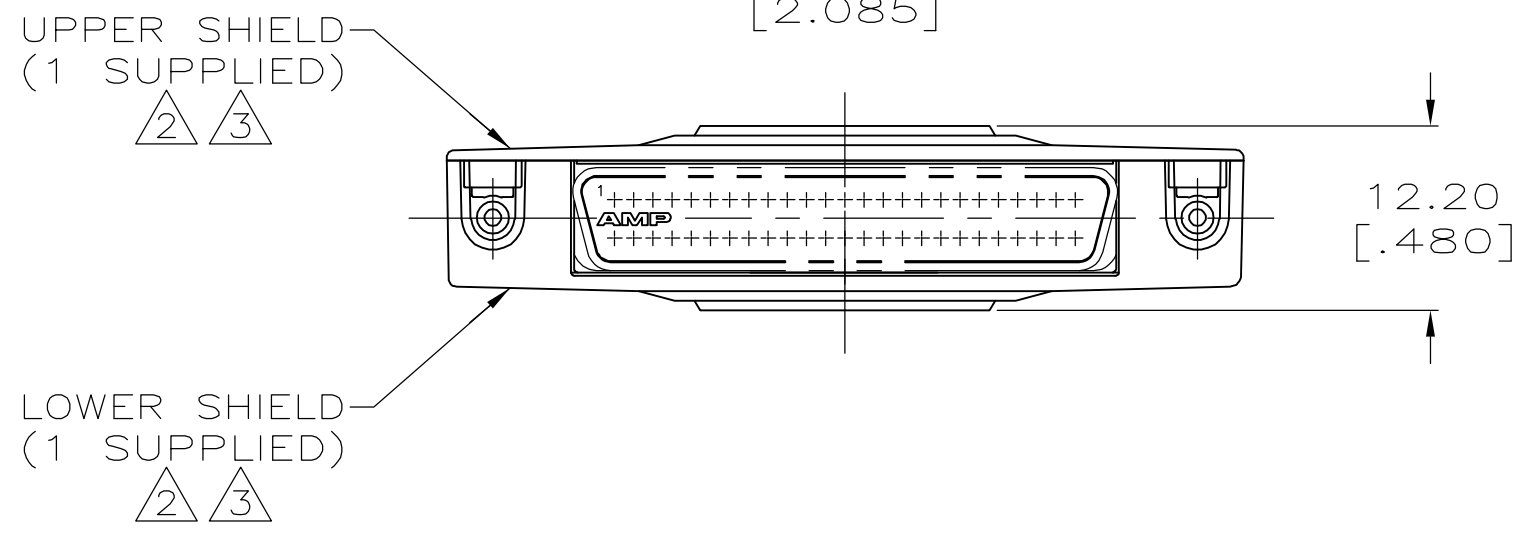


THIS DRAWING IS UNPUBLISHED. RELEASED FOR PUBLICATION
 © COPYRIGHT BY TYCO ELECTRONICS CORPORATION. ALL RIGHTS RESERVED.

LOC	DIST	REVISIONS					
GP	00	P	LTR	DESCRIPTION	DATE	DWN	APVD
		0		REVISED PER EC 0S13-0001-05	24AUG/05	GP	JG



- ① 10.16[.400] MAX CABLE DIA.
- ② ZINC.
- ③ NICKEL PLATED.
- ④ STEEL.
- ⑤ BRIGHT TIN PLATED.
- ⑥ FLAME RETARDANT 94 V-0 RATED, POLYOLEFIN OR PVC, COLOR: BLACK.
- ⑦ BLACK ZINC PLATED.
- ⑧ PARTS PACKAGED AS A UNIT KIT.
- ⑨ INDIVIDUALLY BULK PACKAGED.



⑨	5749080-2		
⑧	5749080-1		
PACKAGING	PART NO.		
Tyco Electronics Corporation Harrisburg, PA 17105-3608			
NAME			
BACKSHELLS WITH MALE JACKSCREWS, 50 POSITION AMPLIMATE .050 Series			
SIZE	CAGE CODE	DRAWING NO	RESTRICTED TO
A3	00779	C=5749080	-
CUSTOMER DRAWING		SCALE	SHEET
		2:1	1 OF 1
		REV	0

THIS DRAWING IS A CONTROLLED DOCUMENT.		DWN	G.PETERS	24aug05
DIMENSIONS: INCHES		CHK	S.SHUEY	24AUG05
TOLERANCES UNLESS OTHERWISE SPECIFIED:		APVD	M.WALMSLEY	24AUG05
0 PLC	± -	PRODUCT SPEC		
1 PLC	± -	APPLICATION SPEC		
2 PLC	± 0.38 [.015]	WEIGHT		
3 PLC	± -	-		
4 PLC	± -	-		
ANGLES	± -	-		
MATERIAL	FINISH	-		
STAPLE FINISH	PACKAGING	-		

**COPYRIGHT 2005
 TYCO ELECTRONICS CORP
 ALL RIGHTS RESERVED**